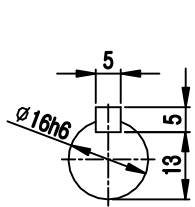
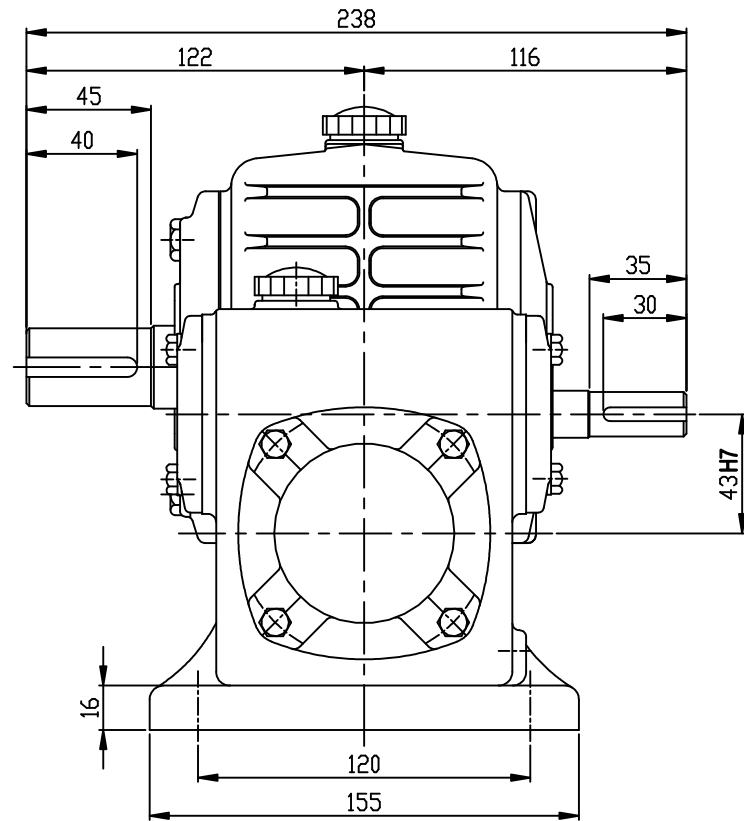
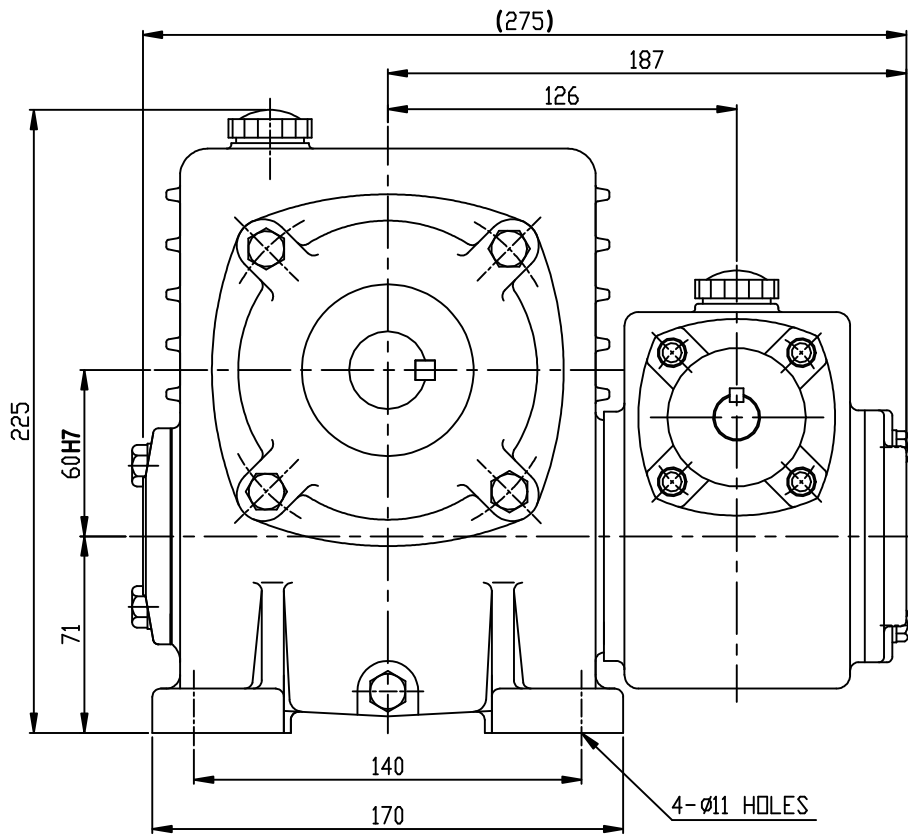
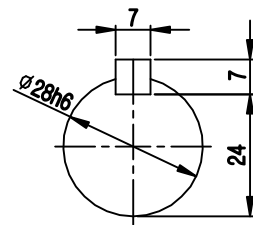


REV	ZONE	DESCRIPTIONS	DRAWN	APPRVD	DATE



INPUT SHAFT



OUTPUT SHAFT

M5*0.8
M6* 1
M8*1.25
M10*1.5
M12*1.75
M16* 2
M18*2.5
M20*2.5
M22*2.5
M24*3

표기외 일반 공차	
각도 : ±0.2°	6 - 30 : ±0.1
CHAMFER: C1.0	30 - 120 : ±0.15
FILLET: R1.0	120 - 315 : ±0.2
마무리: ▽	315 - 1000 : ±0.3
	1000 이상 : ±0.5

NO	PART NUMBER	DESCRIPTIONS	QTY	MATERIAL

NAME	DATE	SCALE	TITLE
김석현	03.6.9	1/1	OUTLINE DWG.
PHD	03.6.9	1/1	STANDARD WORM REDUCER DWB60
SAMYANG			i=1/200~1/600 B-TYPE
REDUCTION GEARS CO., LTD			DWG. NO.

DWG SIZE	REV
A1	1/1
SYDWB60	

