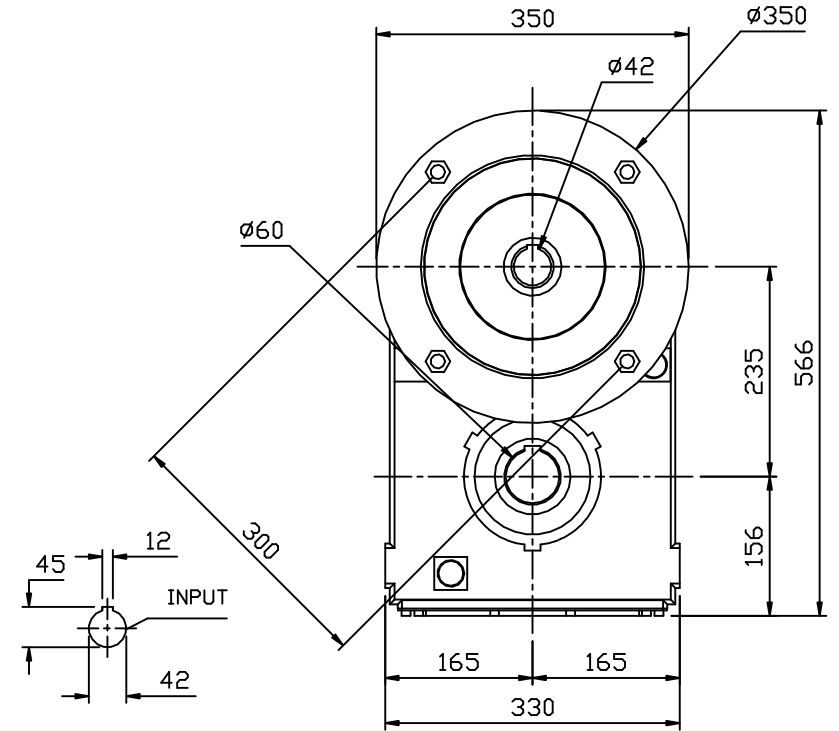
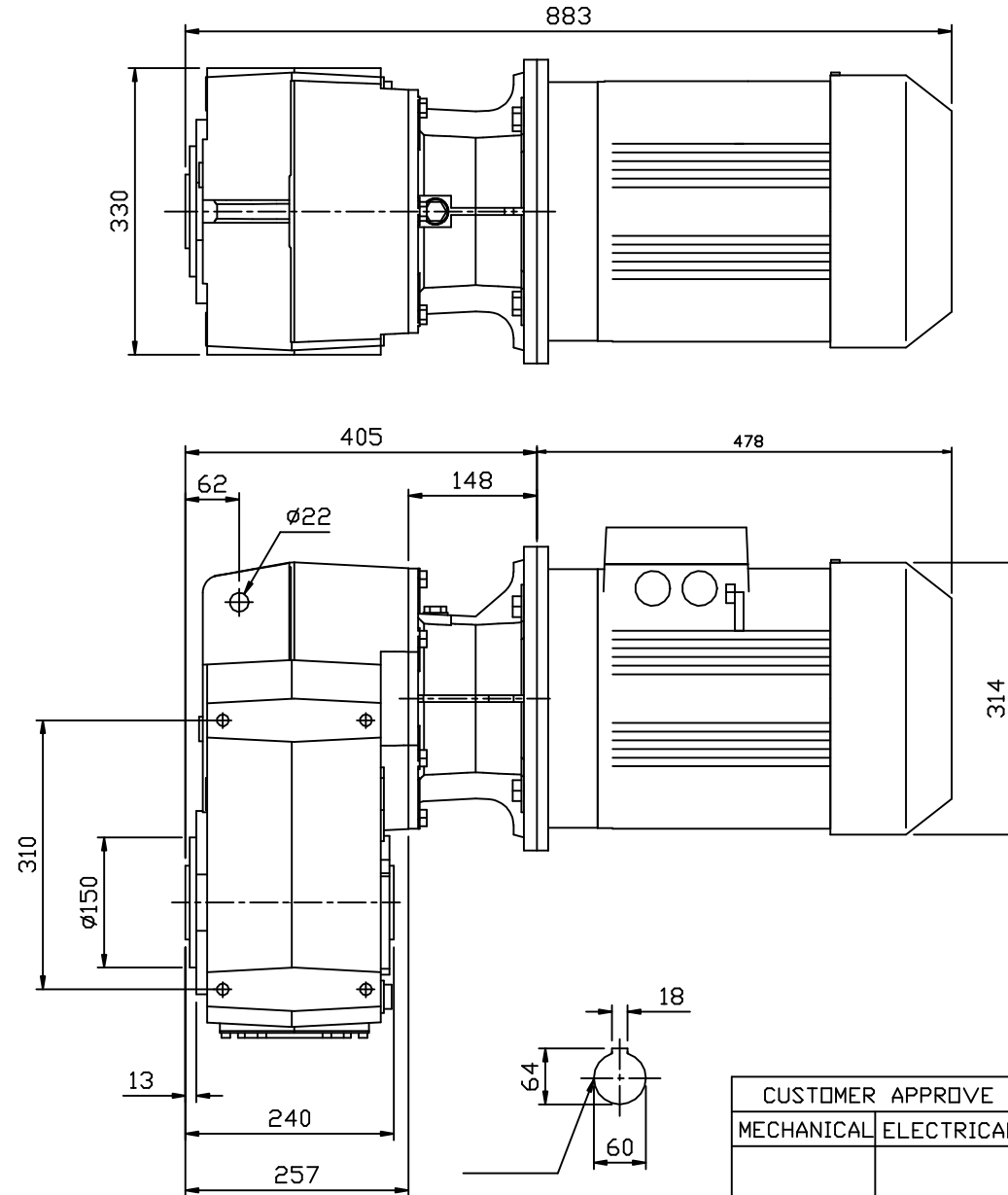


NO	DESCRIPTION	MATERIAL	SIZE	DWG. NO	Q'TY	WT. (KG)		REMARK
						UNIT	TOTAL	



(주)한국체인모터
Tel. 032-810-0702 Fax. 815-8123

CUSTOMER APPROVE		AMEND		PROJECT		MOTOVARIO					
MECHANICAL	ELECTRICAL	Δ		MODEL		S123 160B5					
		Δ		MODEL NUMBER		SHAFT MOUNTED GEAR MOTOR					
		Δ		DRAWN	LEE M.P	DATE		REV	A	SCALE	NONE
		Δ		CHECKED	KIM J.S	DATE		UNIT	MM	PAGE	-
NO	CONTENT	DATE	APPROVED	LEE J.Y	DATE						

