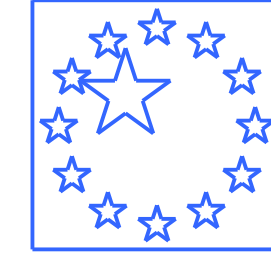
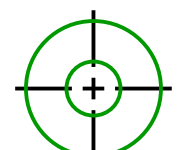
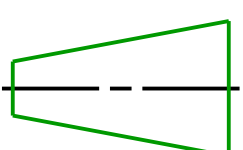


PART NO. AD140B2-P0403402303 AD-P110-M94-3		 APEX DYNAMICS, INC.			
APPROVALS	DATE	TITLE AD140 2 STAGES AND MOTOR FLANGE MOUNTING			
DRAWN		DWG NO. AD140B2-P0403402303			
CHECKED					
APPROVED		 	SIZE A0	SCALE 1:1	REV